

Modular Jack Termination SL Tool Kit with Lacing Fixture, for large cable diameter



- Terminates all AMP-TWIST, SLX, SL, UNJ, and KJ Series Modular Jacks
- Strips cable, marks foil, terminates and cuts 8 conductors at once
- Maintains twisted pair integrity
- Time and cost saving simplifying lacing process and speeding up the termination
- Lacing fixture assures simple and efficient terminations (lacing fixture used only when terminating SL-style jacks)

Product Classification

Regional Availability	Asia Australia/New Zealand EMEA Latin America North America
Portfolio	CommScope®
Product Type	Modular jack tooling

General Specifications

Application	For use with AMP-TWIST 7AS SL outlets For use with KJ Series outlets For use with SL Series outlets For use with SLX and AMP-TWIST 6S and 6AS SL outlets For use with UNJ Series outlets
--------------------	--

Dimensions

Compatible Cable Diameter, maximum	7.24 mm 0.285 in
---	--------------------

Environmental Specifications

Environmental Space	Indoor
----------------------------	--------

Packaging and Weights

Packaging quantity	1
Packaging Type	Pouch

Regulatory Compliance/Certifications

Agency	Classification
CHINA-ROHS	Below maximum concentration value
REACH-SVHC	Compliant as per SVHC revision on www.commscope.com/ProductCompliance
ROHS	Compliant

1725150-6



Included Products

- 1673956-6 - Modular Jack Lacing Fixture for SL Tool
- 1725150-3 - Modular Jack Termination SL Tool Kit without Lacing Fixture

Modular Jack Lacing Fixture for SL Tool



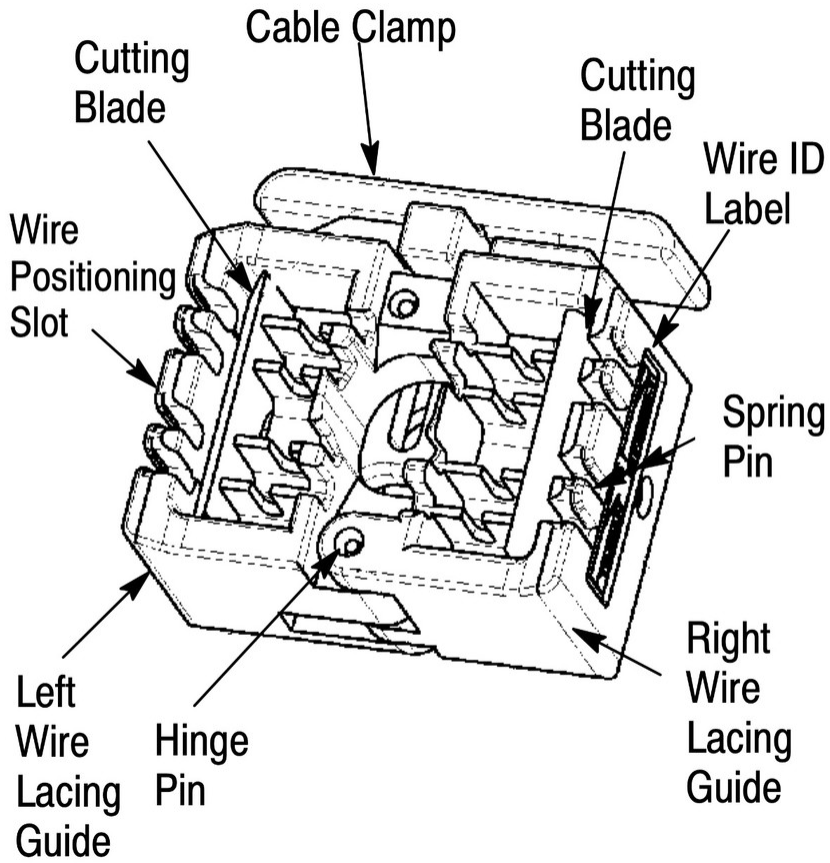
Product Classification

Regional Availability	Asia Australia/New Zealand EMEA Latin America North America
Portfolio	CommScope®
Product Type	Modular jack tooling

General Specifications

Application	For use with SL Series outlets
--------------------	--------------------------------

Outline Drawing



Environmental Specifications

Environmental Space Indoor

Packaging and Weights

Packaging quantity 1

Packaging Type Box | Carton



Modular Jack Termination SL Tool Kit without Lacing Fixture

- Terminates all AMP-TWIST Jacks
- Strips cable, marks foil, terminates and cuts 8 conductors at once
- Maintains twisted pair integrity
- Time and cost saving simplifying lacing process and speeding up the termination

Product Classification

Regional Availability	Asia Australia/New Zealand EMEA Latin America North America
Portfolio	CommScope®
Product Type	Modular jack tooling

General Specifications

Application	For use with AMP-TWIST 6S and 6AS SL outlets For use with AMP-TWIST 7AS SL outlets
--------------------	--

Dimensions

Compatible Cable Diameter, maximum	7 mm 0.276 in
---	-----------------

Environmental Specifications

Environmental Space	Indoor
----------------------------	--------

Packaging and Weights

Packaging quantity	1
Packaging Type	Pouch

Regulatory Compliance/Certifications

Agency	Classification
CHINA-ROHS	Below maximum concentration value
REACH-SVHC	Compliant as per SVHC revision on www.commscope.com/ProductCompliance
ROHS	Compliant

