

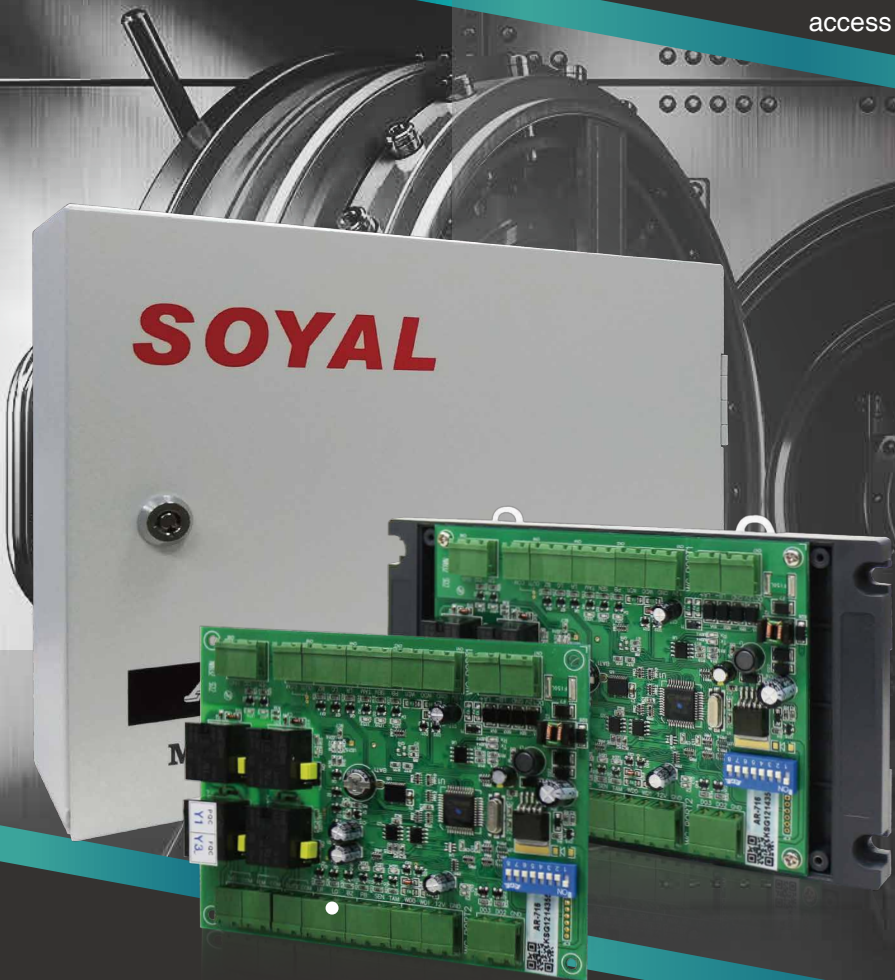
SOYAL[®]

Multi-Door & Large Capacity Control

AR-716-E02

2- Doors Networking Control Panel

Built-in 2 WG input interface that can connect 2 WG slaver readers to complete 2 doors control; Built-in RS485 communication interface can be connected to Multi-door controller to achieve Multi-door and large user capacity access control, solving the shortcomings of WG signal transmission distance limitation.



Communication Module

Built-in RS485 or optional TCP/IP communication interface for networking connection and management setting on Computer.

Time Management

Built-in RTC (Real Time Clock) for accurate date and time calculation and built-in watchdog that can prevent the device from hang up.

Security Functions

Built-in multiple sets of DI input for door sensor / exit button and DO for door lock , tamper switch, alarm output.

Support UPS

Be able to connect one UPS Power supply AR-716-TC-P to keep the device running during power outage to enhance system safety



Installation Design

Complied with Industrial standard and locking design; Quick-release terminal design for wiring, convenient for installation and maintenance

Features



Data Redundancy



Multi-door
Anti-passback



Release All Door Locks
in Fire event



Multiple
LED indicator

- Support RS485 communication encryption, SSC (Soyal Security Communcation)
- Built-in RS485 communication interface; Built-in watchdog that can prevent the device from hang up.
- Support 2 sets of Auto-open zone to unlock/lock automatically.
- Built-in 2 WG input interface for 2 WG slaver readers .
- Built-in power and data trasmission LED indicators for convenient debugging and status judgement.
- Support maximum 128 controllers in parallel connection and control
- Support 11 sets of Time zone on networking mode and extend up to 63 Time zone and 255 Door groups when connecting with Multi-door controller; be able to set holiday and level , link with other zones.
- Support 2-doors Anti-passback; be able to assign which door is for entry and which door is for exit.



Web



Youtube

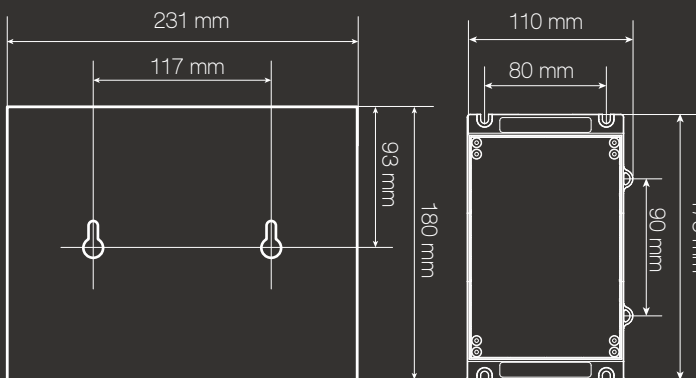
SPECIFICATION

User Capacity	3000人		
Event Log	1456		
Power Voltage	9-24VDC		
Power Consumption	<3W		
Communication interface	Host	Host Node 1~128	
		9600bps(N,8,1)	
	Slave Reader	WG	2 Readers
DI Input	2 Egress / 2 Door State 2 Tamper Switch / 2 Reserved DI		
DO Output	2 Door Lock Relay / 1 Alarm Relay 1 Reserved Relay / 2 Reserved DO		
Communication Redundancy	---		
Anti-Passback	2 Doors		
Door Group	Yes		
Time Zone	11		
Dimension(mm)	Metal Casing	180(H)x231(W)x62(D)	
	Mounting Plate	110(H)x175(W)x32(D)	
	PCB	110(H)x175(W)x32(D)	
Weight(g)	Metal Casing	1765±10	
	Mounting Plate	255±10	
	PCB	175±10	
Housing Material	Metal/ABS		
Others	Support UPS AR-716-TC		
Enviroment	Operating Temperature	-20°C ~ +65°C	
	Storage Temperature	-25°C to +70°C	
	Operating Humidity	20%~90%	
	Storage Humidity	5%~95%	

WHAT WE OFFER

- ✔ **Built-in LED Indicator**
 Built-in power and data trasmission LED indicators for convenient debugging and status judgement
- ✔ **High Cost-Performance ratio**
 High C/P ratio controller for dual door control via WG interface; simple and easy to use ,with excellent performance, easy to upgrade and expand (Be able to connected to Multi-door controller through RS485 communcation interfarce.
- ✔ **Multi-door Anti-passback**
 Support 2-door Anti-pass back when working alone and be expanded to 32-doors Anti-pass back when connected to Multi-door controller;Effectively control the entry of people and vehicles to prevent one card for multi-use in door control or car-parking system. A variety of different functions and applications can effectively achieve as needed.
- ✔ **Security**
 Built-in RS485 interface that reach 1200 meters communication distance; Built-in 2 WG port that can be connected with 2 WG slaver reader to realize two doors extry and exit by swipping card or pressing PIN code ;Stable performance, fast communication, strong compatibility and separate design using I/O module to open door lock for high security access.
- ✔ **WIEGAND Output Format**
 Be compatible with WG readers from different brands in multiple card number format in WG 26/32/34/35/37 and so on
- ✔ **In-Field firmware Upgrade**
 In-field firmware upgrade is available by SOYAL ISP Tools when connecting to computer via RS485 converter provided by SOYAL

INSTALLATION(mm)



▲ Metal Box

▲ Plastic Mounting Base

HOW TO ORDER

AR-716-EXX-X-X

Doors No.
02=Dual Doors (WG)
16=16 Doors (RS485)+ 2 WG
18=18 Doors (RS485)+ 2 WG

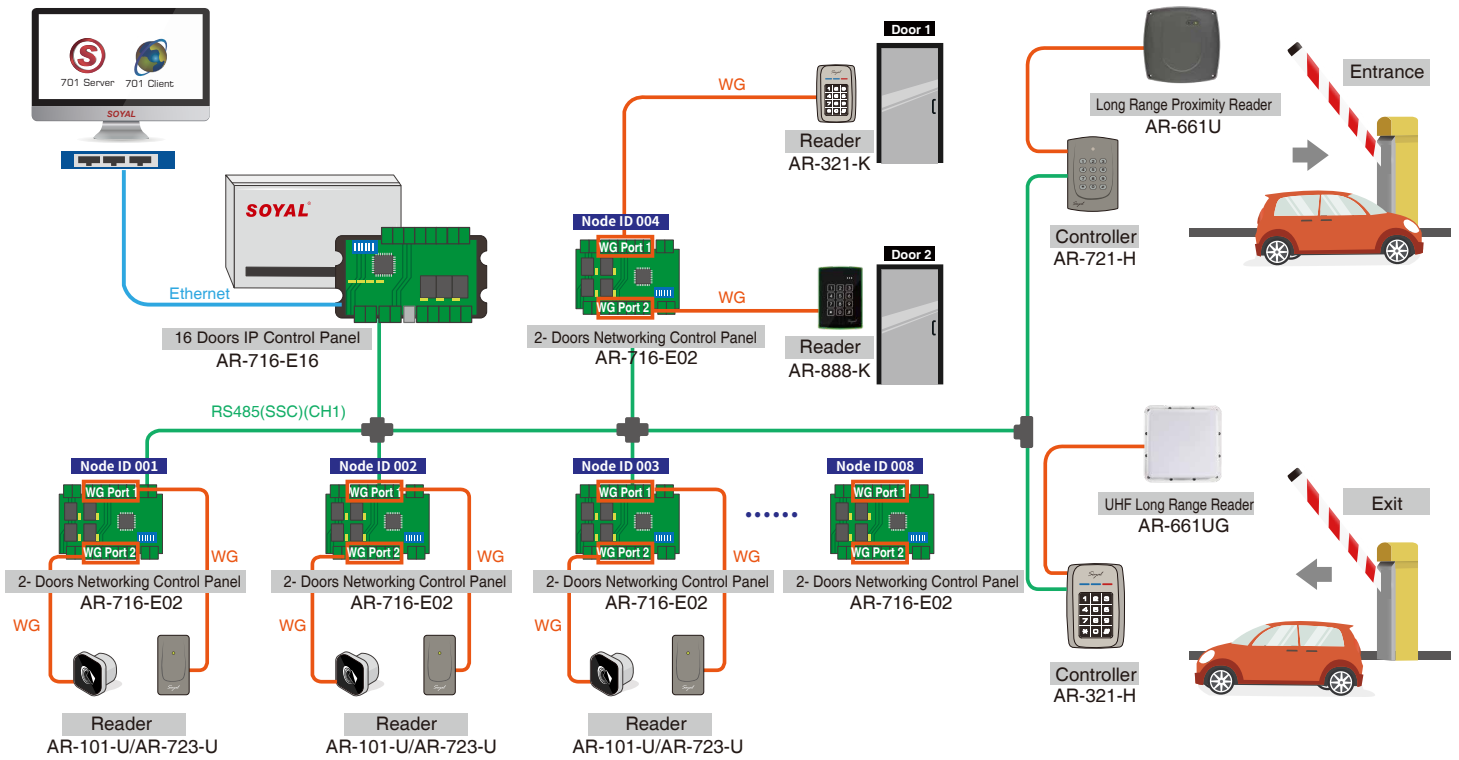
Additional Module
A=TCP/IP Module

Type
N/A=PCB
M=Metal Case
X=Plastic Mounting Base
 (AR-716-E18 does not have plastic mounting base option)

APPLICATION & STRUCTURE DIAGRAM

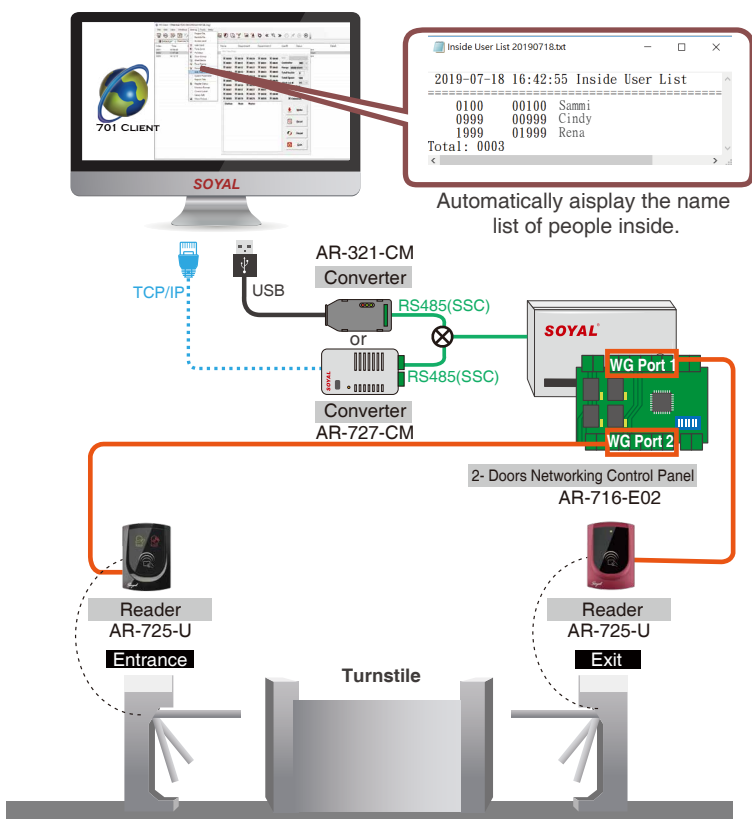
● BASIC ACCESS CONTROL STRUCTURE

Built-in 2 WG input interface that can connect 2 WG slaver readers to complete 2 doors control and separate I/O control to realize higher security control that the door lock can not be unlocked even if the door is forcibly damaged and support lift control as well ; Built-in RS485 communication interface can expand to connect with Multi-door controller in parallel connection way for large user capacity and Multi-door Anti-passback access.



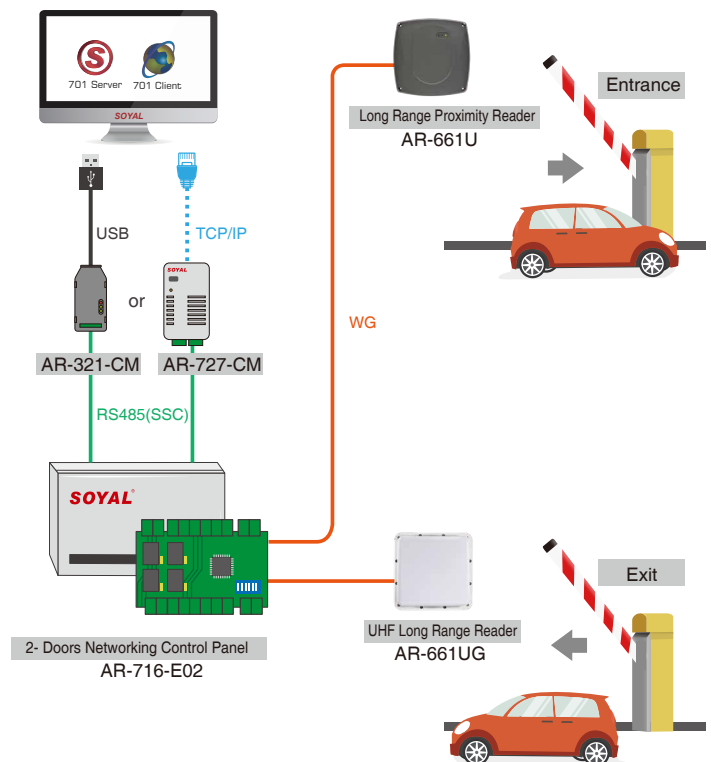
● PERSONNEL ACCESS CONTROL

Built-in 2 WG port that can be connected to two WG readers installed in the entrance and exit of turnstile to effectively control personnel single / double direction access.



● VEHICLE ENTRY / EXIT CONTROL

Built-in 2 WG port that can be connected to two general or long range range WG readers installed in lane entrance and exit area to effectively control vehicles access.



PERIPHERALS / ACCESSORIES

MULTI-DOOR CONTROL SERIES

- Multi-door Control Series



18 Doors Networking Control Panel
AR-716-E18



16 Doors IP Control Panel
AR-716-E16

WG Reader



Proximity Reader
AR-723-U



Proximity Reader
AR-101-U/ AR-101-PBI



Proximity Reader
AR-321-U



Proximity Reader
AR-721-K



AR-716-E02

Wiegand Fingerprint Controller



Mullion Fingerprint Controller
AR-331-EF



Fingerprint Controller
AR-837-EF9DO
AR-837-EF3DO

NETWORKING

- Software



File Based & Data Based Interchangeable Software for Access Control, Time Attendance, Status Monitoring and Configuration
701 Server & 701 Client



Firmware Upgrade
UDP Tools

- Signal/Interface Converter



USB to RS485

AR-321-CM

RS232 to RS485

AR-321-CM-485232



Ethernet to RS485

AR-727-CM
AR-727-CM-IO-0804M
(with I/O for Fire Alarm to open all doors)

Necessary



Power Supply

BP-W12-1500 (1.5A)
BP-W15-2400 (2.4A)



Door Sensor / Alarm/Siren / Burglary Security System

- Input/Output



Locks

Magnetic Lock AR-0600M
Electric Bolt Lock AR-1207 Series
Cabinet Lock AR-1211-P/AR-1213-P
Electric Strike AR-YS-130NO/AR-YS-131NO

FAQ

Q: What are the main features and advantage of 2-Door WG Control panel?

A: Built-in 2 WG port that can be connected with 2 WG slaver reader to realize two doors entry and exit and two door interlock ; Built-in RS485 interface that can expand to 32-doors Anti-pass back when connected to Multi-door controller.

Q: How to keep controller and reader running normally when the power failure?

A: Please purchase one UPS Power supply AR-716-TC that can provide power and keep the device running normally the power failure.

