

Scale 1:1

Keypad Access Controller / Keypad Proximity Reader

AR-721-K



Web



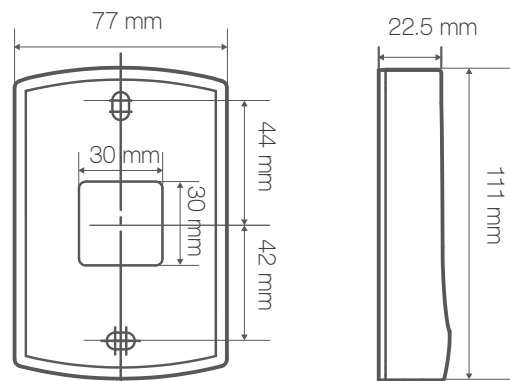
Youtube

Dimension (mm) 111(L)X77(W)X26(H)

Color



Installation



SPECIFICATION

● STANDARD ⊙ OPTIONAL BY ORDER ◻ EXTERNAL

B: 125Khz / D: 13.56Mhz / S: Dual Band

Model No.			721-K		
			B	D	
Proximity Reader	Communication Interface	Output Selection	WG 24-34	●	●
			WG 24-66		
			RS485		●
			RS232	●	
			USB		
			ABA-II	●	●
	Frequency	125kHz	EM	●	
			Mifare/NFC		●
		13.56 MHz	DESFire		●
			Felica		
ISO15693				⊙	
Controller	Communication	Host	RS-485		
			TCP/IP		
			POE		
		Serial	UART Port		
	WG Module				
	Frequency / UID Bits	125kHz	EM		
			Mifare/NFC		
		13.56 MHz	DESFire		
			Felica		
			ISO15693		
	DI/DO	DI	Egress		
			Door State		
			Door Bell		
		RO	Door Lock Relay		
			Alarm Relay		
		DO	Door Bell Output		
	Security Output				
Arming Output Duress Output					
Doors / Floors Number					
User Capacity					
Event Log					
RF Reading Range			10-18cm	3-8cm	
Others	Tamper Switch			●	
	Tamper Output			●	
	WG In Port				
	WG Out Port			●	
	Buzzer			●	
QRCode					
Dimension(mm)			111(L)X77(W)X26(H)		
Weight(g)			100±10		
Power Consumption			<1W		
Power Voltage			9~24VDC		
Ingress Protection			NO		
Environment	Operating Temperature		Storage Temperature	Operating Humidity	Storage Humidity
	-20 ° C to +65 ° C		-25 ° C to +70 ° C	20% ~ 90%	5% ~ 95%