

Scale 1:1

Access Controller / Proximity Reader

AR-723-U



Web



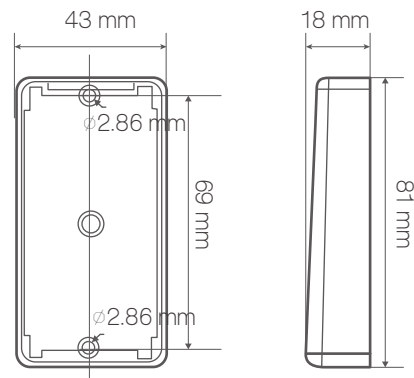
Youtube

Dimension (mm)

81(L)X43(W)X18(H)

Installation

Color



SPECIFICATION

● STANDARD ⊙ OPTIONAL BY ORDER ◻ EXTERNAL

B: 125Khz / D: 13.56Mhz / S: Dual Band

Model No.			723-U			
			B	D		
Proximity Reader	Communication Interface	Output Selection	WG 24-34	●	●	
			WG 24-66			
			RS485		●	
			RS232	⊙	⊙	
			USB			
			ABA-II	●	●	
	Frequency	125kHz	EM	●		
			13.56 MHz	Mifare/NFC		●
				DESFire		●
				Felica		
		ISO15693		⊙		
Controller	Communication	Host	RS-485			
			TCP/IP			
			POE			
		Serial	UART Port			
	WG Module					
	Frequency / UID Bits	125kHz	EM			
			13.56 MHz	Mifare/NFC		
				DESFire		
				Felica		
			ISO15693			
	DI/DO	DI	Egress			
			Door State			
			Door Bell			
		RO	Door Lock Relay			
			Alarm Relay			
		DO	Door Bell Output			
			Security Output			
	Arming Output					
			Duress Output			
	Doors / Floors Number					
User Capacity						
Event Log						
RF Reading Range			6-12cm	3-8cm		
Others	Tamper Switch					
	Tamper Output					
	WG In Port					
	WG Out Port			●		
	Buzzer			●		
	QRCode					
Dimension(mm)			81(L)X43(W)X18(H)			
Weight(g)			40 ± 5 (125KHz)	60 ± 5 (13.56MHz)		
Power Consumption			<1W			
Power Voltage			9~24VDC			
Ingress Protection			IP56			
Environment	Operating Temperature	Storage Temperature	Operating Humidity	Storage Humidity		
	-20 ° C to +65 ° C	-25 ° C to +70 ° C	20% ~ 90%	5% ~ 95%		