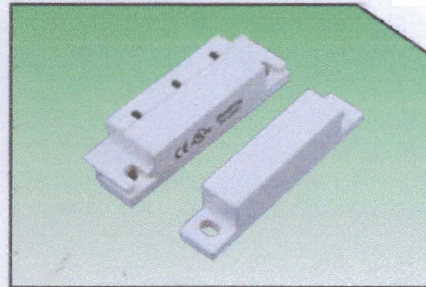


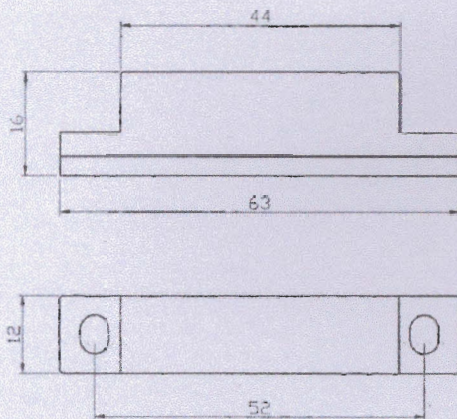
Specification: **BS-2031**

- * Screw mount Concealed terminals
- * Spacers, cover and screws included
- * Switches or magnets available seperately
- * Resistor, Diode and Supervisory Loop available on request
- * With lead available: BS-2025
- * Colors: White, Brown, Grey

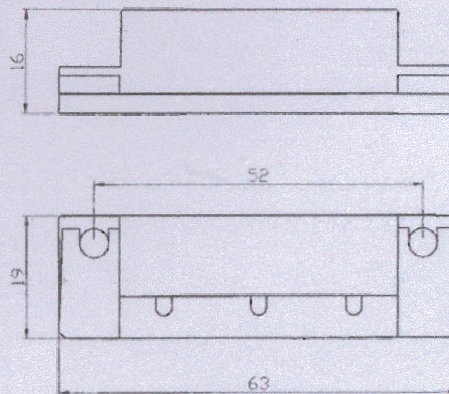
... Surface Mounted



Dimension (mm):



MAGNET



SWITCH

Order Information:

Part Number	Loop Type	Reed Form	Closed Gap [Inch(mm)]	Depature Gap [Inch(mm)]	Maximum Initial Contact Resistance (Ohm)	Maximum Contact Rating (W)	Maximum Switching Voltage (VDC/VAC)	Maximum Switching Current (A)
BS-2031	Closed	N/O	1.2 (30)	1.3 (33)	0.150	10	100	0.5
BS-2031A	Open	N/C	1 ¹ / ₄ (31)		0.150	3	30	0.2
BS-2031C	Closed	SPDT	1 ¹ / ₄ (30)		0.150	3	30	0.2

Note: Wire range for terminal: #18~#24AWG

