

Specification:

- * Metal magnetic contacts
- * Ideal for commercial application or industrial use
- * Screws included
- * Standard 18" #22AWG leads
- * 2 Conductor jacket cable on request (BS-2071J)
- * Armored cable on request (BS-2071AR)
- * Longer leads available
- * Resistor, Diode and Supervisory Loop available on request

••• Surface Mounted

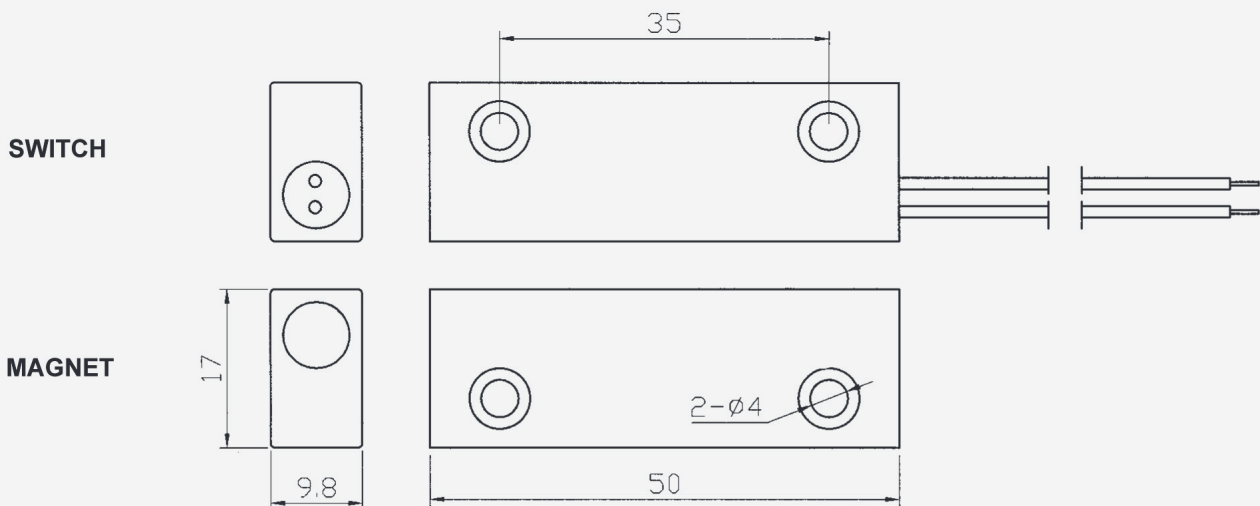
BS-2071



BS-2071AR



Dimension (mm):



Order Information:

| Part Number | Loop Type | Reed Form | Closed Gap [Inch(mm)] | Departure Gap [Inch(mm)] | Maximum Initial Contact Resistance (Ohm) | Maximum Contact Rating (W) | Maximum Switching Voltage (VDC/VAC) | Maximum Switching Current (A) |
|--------------|---------------|-----------|------------------------------------|--------------------------|--|----------------------------|-------------------------------------|-------------------------------|
| BS-2071(AR) | Closed | N/O | 1.5 (38) | 1.65 (42) | 0.150 | 7.5 | 100 | 0.4 |
| BS-2071A(AR) | Open | N/C | 1 ¹ / ₄ (32) | | 0.150 | 3 | 30 | 0.2 |
| BS-2071C(AR) | Closed & Open | SPDT | 1 ¹ / ₄ (32) | | 0.150 | 3 | 30 | 0.2 |
| BS-2071D(AR) | DPDT | 2SPDT | 1 ¹ / ₄ (32) | | 0.150 | 3 | 30 | 0.2 |