

Extra Long Range Proximity Reader

Introduction:

GP90A is an extended range proximity reader featuring compact dimensions and read range of up to 90 cm. The unit will run from an excellent power supply and making it particularly suited to access control, car parking and through-wall reading applications.

Features:

- ☆ High-precision **auto tuning** circuitry compensates
- ☆ Extra long reading range of up to **90 cm** with ISO passive cards; up to **130 cm** with special clamshell card
- ☆ Internal **relay** control
- Bright LED indicators, tuning LED bar
- Firmware upgradeable in the field
- Attractive and **waterproof** housing design
- High-quality power supply with noise filter included

Applications:

- Access Control System
- Car Parking System
- Through-wall Reading Application
- Personal Identification
- Hands Free Application

Specifications :

Interfaces	Wiegand 26 bits MSR ABA Track2 RS232 RS485 or Special Customized Specification
Reading Range	Up to 90 cm with ISO card in ideal conditions or up to 130 cm with special clamshell card
RFID cards accepted	125KHz, 64 bits, Manchester encoding
Maximum power switched by internal relay	Up to 24V / 2A
Operating temperature range	-10 ~ +60° C
Audio / Visual indication	Bright blue LED and Buzzer
Dimensions	420 (W) x 320 (L) x 45(D) mm

Ordering information:

- GP90A-00 without power supply
- GP90A-00E with PS90A-00E AC 230V input power supply
- GP90A-00U with PS90A-00U AC 120V input power supply

※ Specification is subject to change without notice.



ด้านหน้า



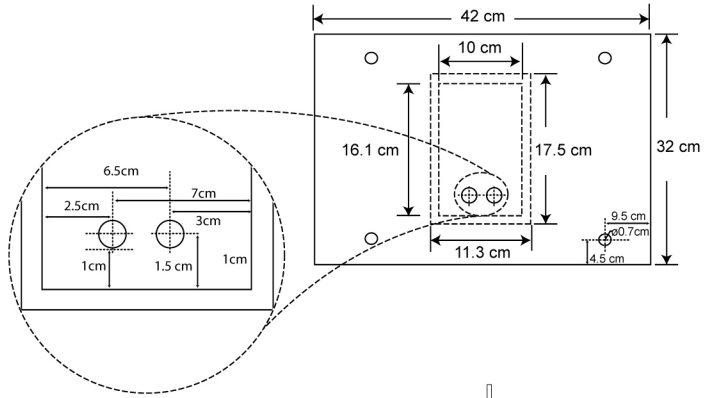
ด้านหลัง



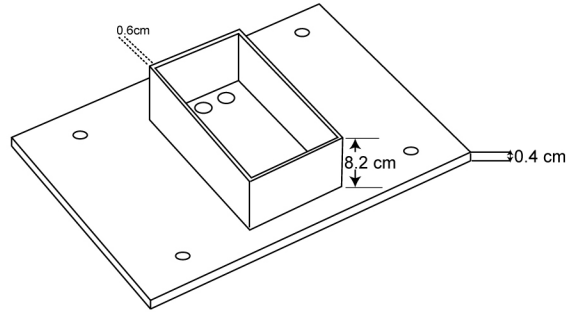
ด้านข้าง



ด้านหน้า



ด้านหลัง



ด้านข้าง

