

PS-8613

Gigabit PoE+ 30W Injector with PD detection



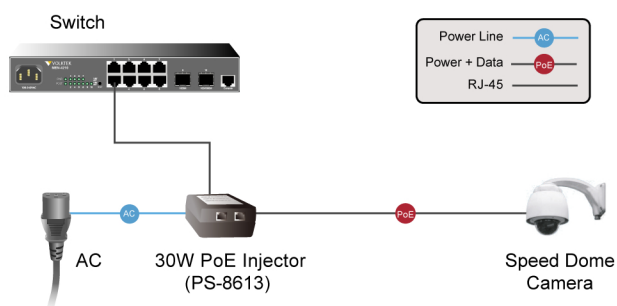
RoHS CE FCC

Introduction

PS-8613 is a single port, high-power PoE PSE solution for remote PoE PD devices. By generating up to 30W, PS-8613 supplies remote power for new applications such as wireless access points, pan-tilt-zoom (PTZ) IP cameras and video-phones. It complies with IEEE 802.3at PoE+ standard and is backward compatible with IEEE802.3af. It works with 10/100/1000Base-T networking devices such as Wi-MAX and wireless access points.

Key Features

- Up to 30W of PoE power feeding on 2-pairs
- IEEE 802.3af backward compatibility
- Compatible with IEEE 802.3af or legacy PoE applications
- Safe and reliable on low power devices receive only the power they need
- Automatic detection and protection of non-standard Ethernet terminals
- Supports 10/100/1000Base-T LAN environment
- Slide-in design for easy installation



Product Specifications

No. of Data Ports	1 port 10/100/1000Mbps RJ45
No. of PoE PSE Ports	1 port 10/100/1000Mbps (30W PoE RJ45)
Pin Assignment and Polarity	1/2 (+), 3/6 (-)
Output Power Voltage	52 VDC Max.
User Port Power	30 Watts Max.
Input Power Voltage and Frequency	100~240 VAC, 50 to 60 Hz
Dimensions	146 x 65 x 42 mm
Weight	350g
Indicators	AC Power (Green)
Operating Ambient Temperature	-10 to 45 °C
Regulatory	IEEE 802.3at/af, RoHS Compliant, CE/FCC Class B
Safety Approvals	EN 60950:2006