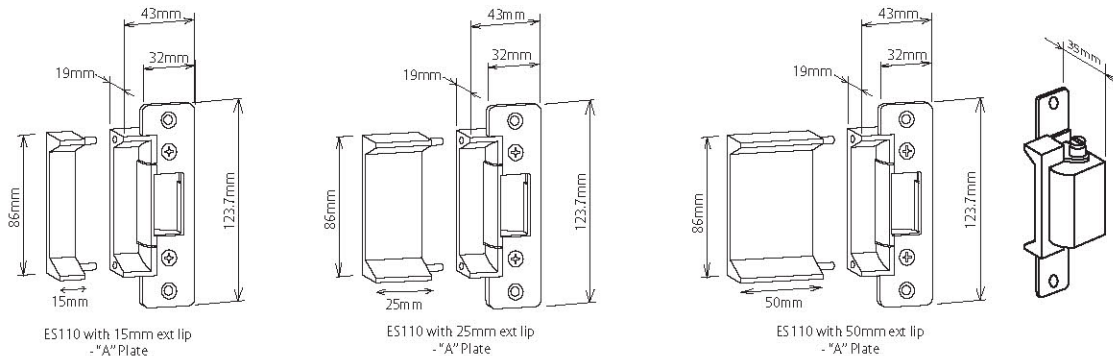


## ES110 Series Electric Strike



### ES110 Technical Information

<b>Voltage</b>	12 or 24Vdc
<b>Current</b>	243 mA @ 12Vdc - 187mA @ 24Vdc
<b>Solenoid</b>	Solenoids are rated for continuous use.
<b>Monitoring</b>	None
<b>Holding Force</b>	680 kg Static Strength Rating
<b>Endurance</b>	Cycle tested to 1,000,000 operations
<b>Environment</b>	Operational temperature range -20°C to +60°C Weather resistant construction available. (IP56)
<b>Body</b>	Cast Aluminium Construction
<b>Keeper</b>	Stainless Steel
<b>Latch</b>	Suit 15mm latch with 3mm door gap

### Specification Statement

Where Power to Lock and Power to Open functions may be required in the same building, the strike must be interchangeable from either "Power to Lock" or "Power to Open" on site.

The electric strike should not consume current greater than 243mA @ 12Vdc or 187mA @ 24Vdc and have a solenoid suitable for continuous use. Certifications must include CE.

The strike should have a minimum holding force of 680kg, and an endurance rating of 1 million cycles.

### Ordering Information

SKU	Short Code	Description
110111-060	TRIMEC ES111-WR-TABS	12V PTL WR SS f/plate
110111-150	TRIMEC ES111-00-WR-THAS	12V PTL WR SS f/plate ANSI Adams Rite no lip
110111-160	TRIMEC ES111-WR-THAS	12V PTL WR SS f/plate ANSI Adams Rite
110111-190	TRIMEC ES111-00-WR-TABS	12V PTL WR SS f/plate no lip
110112-060	TRIMEC ES112-WR-TABS	12V PTO WR SS f/plate
110112-140	TRIMEC ES112-WR-THAS	12V PTO WR SS f/plate ANSI Adams Rite
110113-060	TRIMEC ES113-WR-TABS	24V PTO WR SS f/plate
110113-140	TRIMEC ES113-WR-THAS	24V PTO WR SS f/plate
110114-060	TRIMEC ES114-WR-TABS	24V PTO WR SS f/plate
220200-518	TRIMEC Mounting Kit - ES100/110	Mounting tab kit for ES100/110
<b>Extension Lips</b>		
220110-502	TRIMEC ES110 15MM Extension lip	
220110-503	TRIMEC ES110 25MM Extension lip	
220110-504	TRIMEC ES110 50MM Extension lip	
<b>Faceplates</b>		
210100-523	TRIMEC PL-ES1-TJAA	ES110 Long rebated faceplate aluminium
210100-527	TRIMEC PL-ES1-TGAS	ES110 UK sash DIN RH (LH) SS
210100-528	TRIMEC PL-ES1-TFAS	ES110 UK sash DIN LH (RH) SS
210100-530	TRIMEC PL-ES1-TBBS	ES110 ANSI long SS
219100-532	TRIMEC ES100 UK Sash SS Small Right	ES110 Small sash DIN RH (LH) SS
219100-534	TRIMEC ES100 UK Sash SS Small Left	ES110 Small sash DIN LH (RH) SS
219100-538	TRIMEC PL-ES1-TDAS RH	ES110 Euro sash DIN LH (RH) SS
219100-539	TRIMEC PL-ES1-TEAS LH	ES110 Euro sash DIN RH (LH) SS