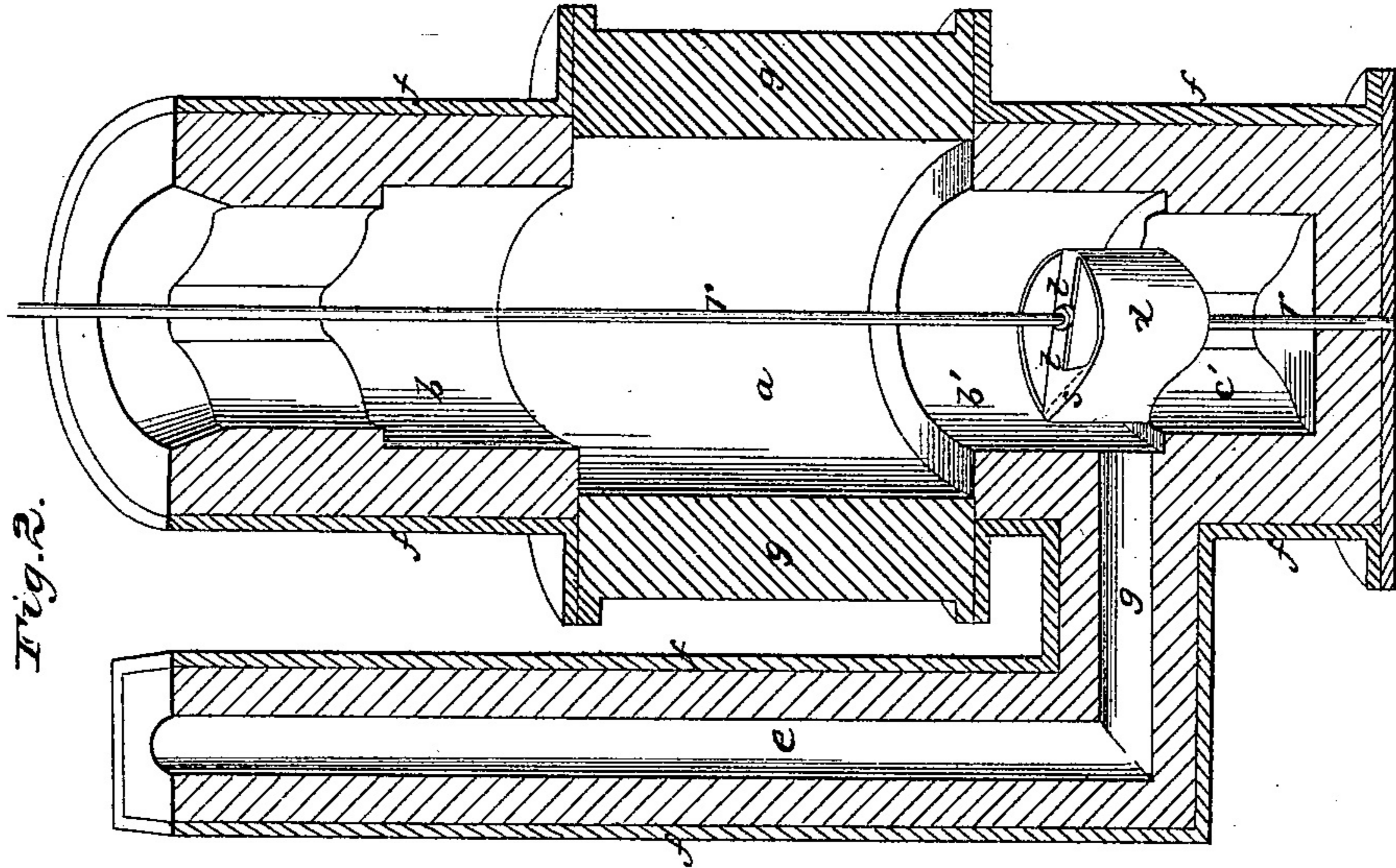


*J. C. Parry,*

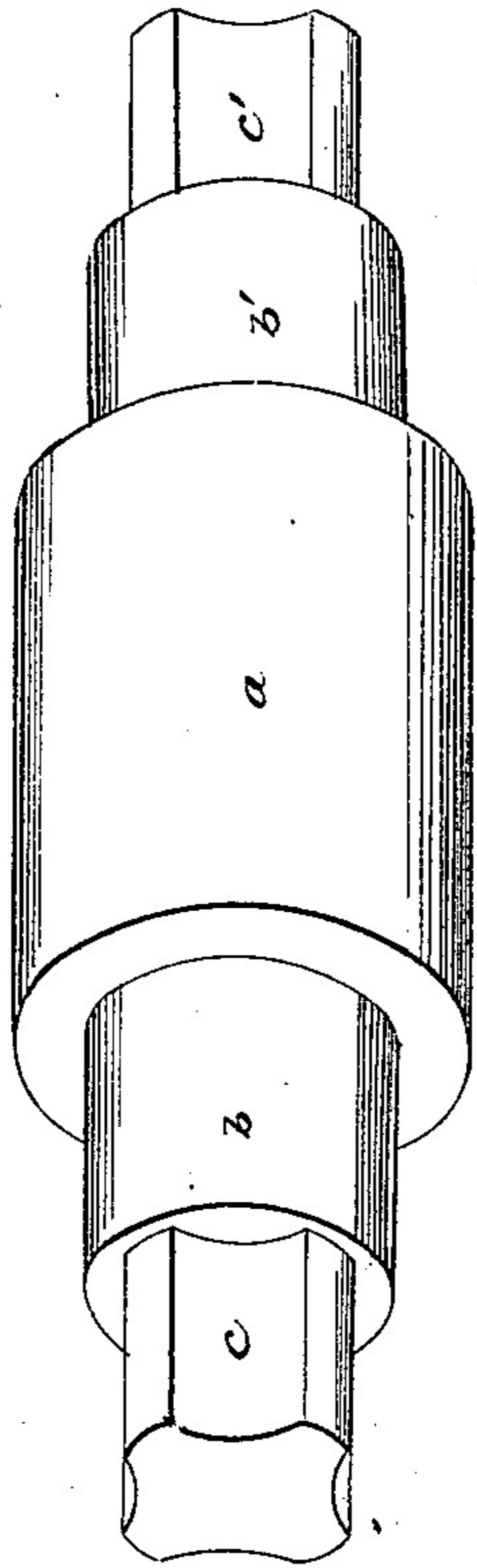
*Casting Chilled Rolls.*

*N<sup>o</sup> 7,125.*

*Patented Feb. 26, 1850.*



*Fig. 1.*



*Fig. 3.*

