

Features:

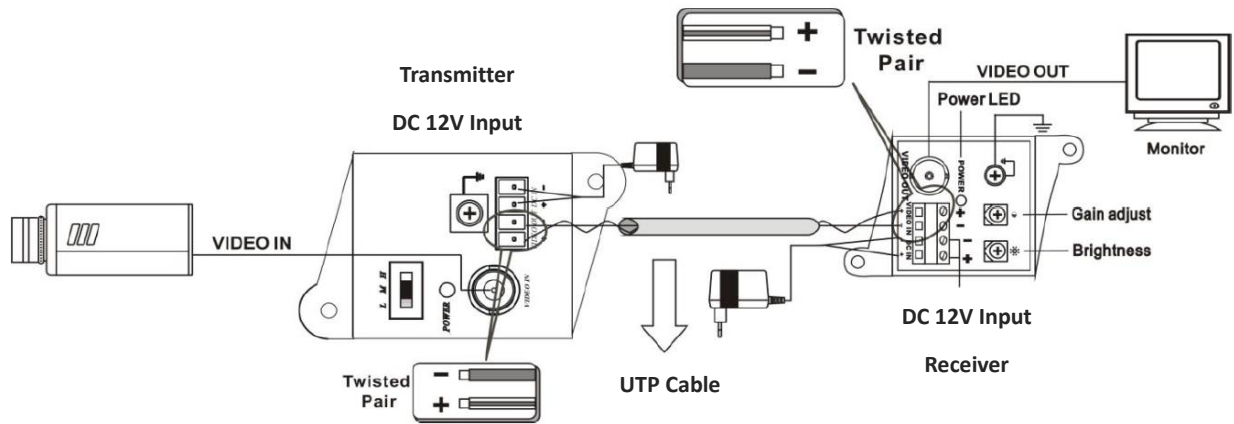
- To send a full motion color video signal up to 1500 meters over UTP cable.
- Transmitter built in L, M, and H high frequency video gain.
- Easy setting with 2 adjustments for color gain and brightness at receiver.
- System is integrated with alarm sensor (PIR, Magnetic, etc.) or data. (Pan, Tilt, Zoom).
- Built in transient protection and ground lifting, damaging voltage spike problems are eliminated.

Specification:

ITEM	Transmitter
Video Format	NTSC / PAL
Video Input	BNC x 1 (75 Ω · 1 Vp-p)
Video Output	4 pin removable terminal x 1 (100 Ω · 3 Vp-p)
Switch	Slide switch x 1
Power Supply	DC 12V 500mA
Power Consumption	75 mA (Max)
Temperature	Operation: 0 to 55°C, Storage: -20 to 85°C, Humidity: up to 95%
DIMENSIONS W x H x D mm	43.2 x 45.2 x 74
WEIGHT g	55

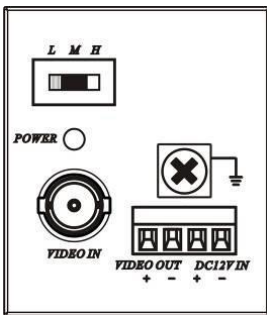
ITEM	Receiver
VIDEO OUTPUT	1Vp-p · 75 Ohms (BNC Connector)
POWER CONSUMPTION	40mA(max)
POWER SUPPLY	DC 12V 500mA
VIDEO GAIN ADJUSTING	1 0~300M 2 300~600M 3 600~900M 4 900~1200M 5 1200~1500M
RECOMMENDED CABLE	UTP Cable 4 pair (24AWG)
Temperature	Operation: 0 to 55°C, Storage: -20 to 85°C, Humidity: up to 95%
DIMENISONS W x H x D mm	43.2 x 45.2 x 74
WEIGHT g	60

Installation View:



*The unit built in transient protection, please make sure to make grounding.

Transmitter Panel view & Function:



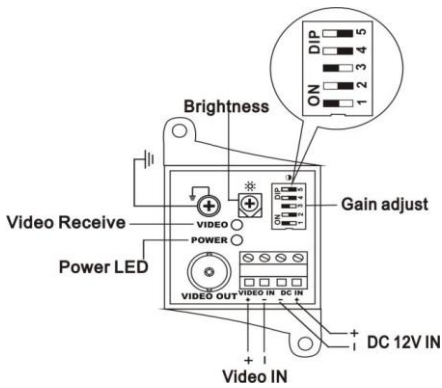
LED Indication:


Green: Power on/off

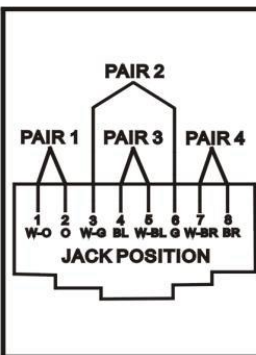
Slide Dip Switch for Video Gain:

- L High frequency gain - 6 dB
- M High frequency gain +3 dB
- H High frequency gain +6 dB

Receiver Panel view & Function



VIDEO GAIN ADJUSTING (Receiver)		RJ - 45 Jack					
		PIN	Color	Function			
	Press 1	0~300M	Press 4	900~1200M	1	W-O	D1-
	Press 2	300~600M	Press 5	1200~1500M	2	O	D1+
	Press 3	600~900M			3	W-G	Audio +
					4	BL	D2+
					5	W-BL	D2-
				6	G	Audio -	
				7	W-BR	Video +	
				8	BR	Video -	



-END OF SPECIFICATION-